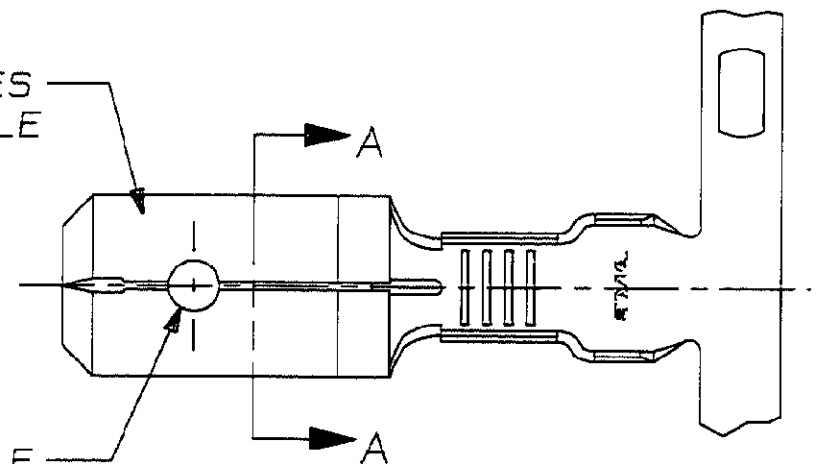


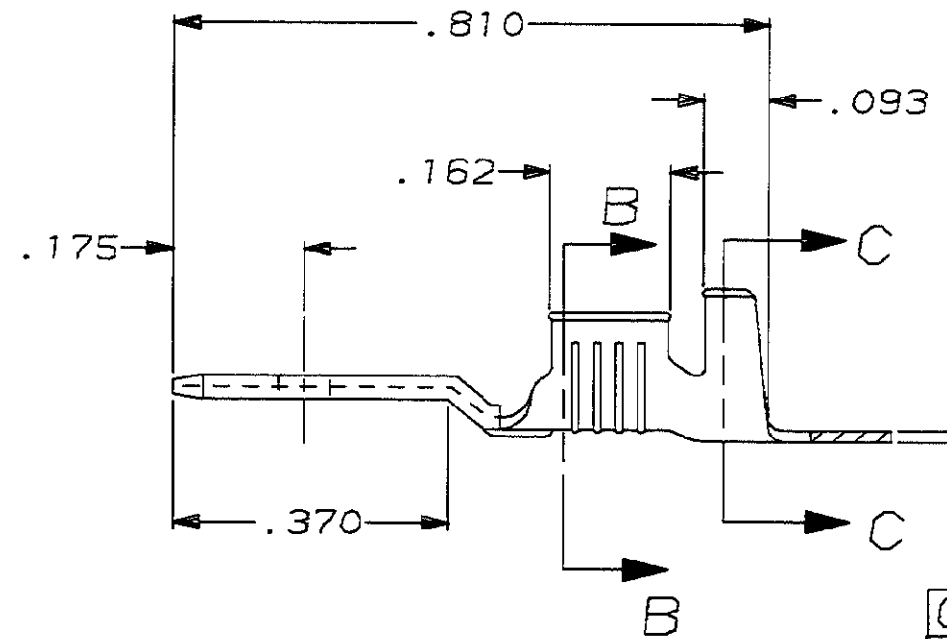
THIS DRAWING IS UNPUBLISHED. RELEASED FOR PUBLICATION
 © COPYRIGHT 19 BY AMP INCORPORATED. ALL INTERNATIONAL RIGHTS RESERVED.

LOC	DIST	P	F	ZONE	LTR	REVISIONS	DATE	APPD
AF	50				G	REV PER 0413-93	11/12/93	JR/MF

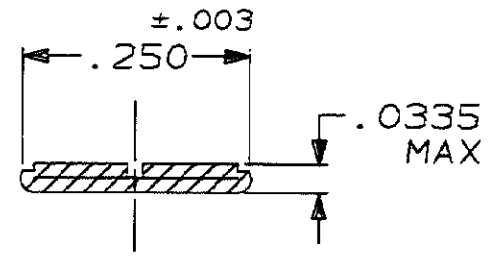
FITS .250 SERIES FASTON RECEPTACLE



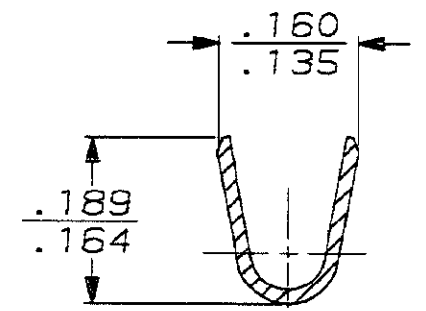
.075 DIA HOLE
.060



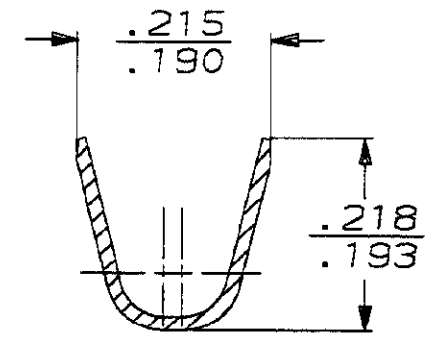
1 CONTINUOUS STRIP ON REELS.



SECTION A-A
SCALE 5:1



SECTION B-B
SCALE 5:1



SECTION C-C
SCALE 5:1

OBSOLETE	TIN .000080 MIN	.110-.170 DIA	14-12 AWG	61281-3
OBSOLETE	SILVER .000150 MIN			61281-2
	FINISH	INSULATION RANGE	WIRE SIZE	PART NO
DO NOT SCALE PRINT. UNLESS SPECIFIED DIMENSIONS ARE IN INCHES TOLERANCES ON: 2 PLC DEC ± - 3 PLC DEC ± .005 ANGLES ± -	MATERIAL #2H BRASS .015 THK REF	DR 1/31/91 JR RUTH CHK 1/31/91 MS FEHER APPD 1/31/91 C MEYERS APPD 1/31/91 D REINER PRODUCT SPEC -	AMP AMP Incorporated Harrisburg, PA 17105-3508	
FINISH SEE TABLE	APPLICATION SPEC -	WEIGHT -	NAME TAB, FASTON,™ .250 SERIES	
			SIZE B	CASE CODE 00779
			SCALE 4:1	DRAWING NO 61281
				SHEET 1 OF 1